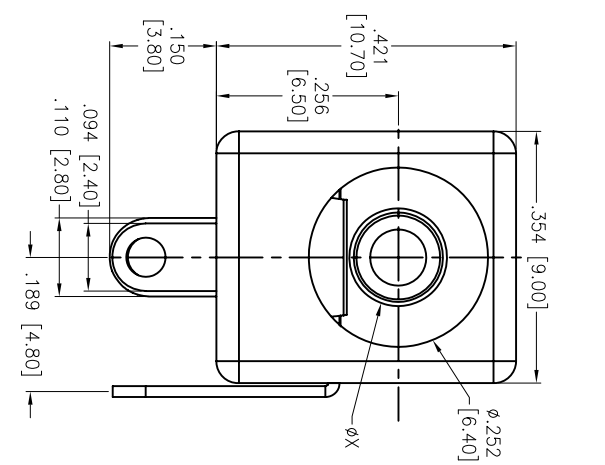


Rev	AWO #	Description	Date	Appr
-		Redrawn	10/18/04	
A		REDRAWN	12/5/11	
B		REVISED SPEC. & DIM.	11/13/12	

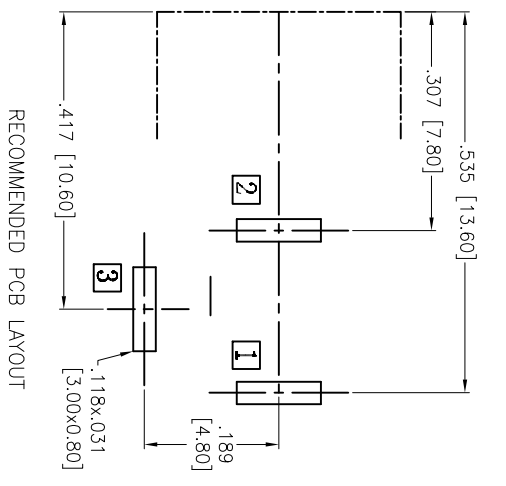
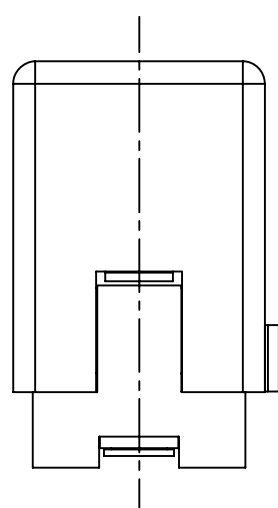
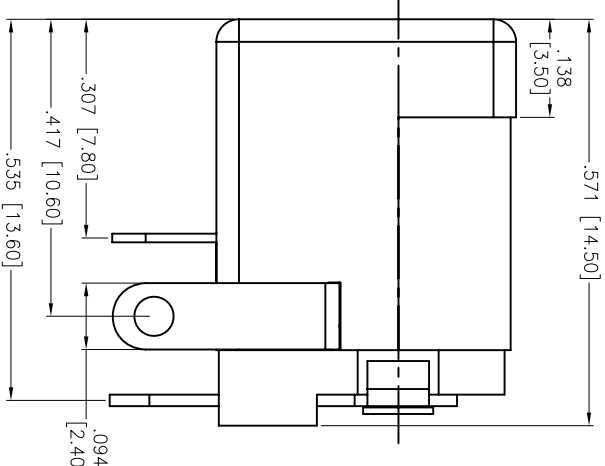
APPROVED: \_\_\_\_\_  
 DATE: \_\_\_\_\_ TITLE: \_\_\_\_\_



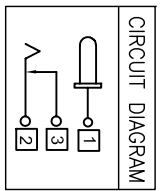
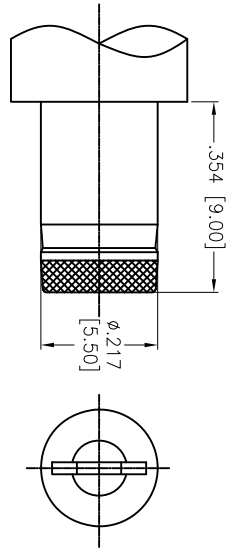
P/N	Dim. X
ADC-002A-1	.079 [2.00 mm]
ADC-002A-2	.098 [2.50 mm]
ADC-002A-5	.093 [2.35 mm]
ADC-002A-9	.065 [1.65 mm]

**SPECIFICATIONS:**

**Material:**  
 Insulator: PBT, rated UL 94V-0  
 Insulator color: Black  
 Cover: PBT, rated UL 94V-0, Color Black  
 Center Pin: Brass, Nickel plated  
 Contacts: Copper Alloy  
 Spring: Phosphor Bronze, Tin plated  
 Plating:  
 Tin over Copper underplate overall  
**Electrical:**  
 Operating voltage: 16 VDC max  
 Current rating: 5 Amp max  
 Contact resistance: 30 mohms max  
 Insulation resistance: 100 Mohms min @ 500 VDC  
 Dielectric withstanding voltage: 500 VAC for 1 minute  
 Temperature Rating:  
 Operating temperature: -20°C to +85°C  
**Environmental:**  
 Lead free, RoHS compliant.



RECOMMENDED PCB LAYOUT



**ADAM TECH**

909 Railway Avenue, Union, NJ 07083  
 Phone: 908-687-5000 Fax: 908-687-5710

UNLESS OTHERWISE SPECIFIED ALL DIMENSIONS ARE MM [INCHES] TOLERANCES: EXCEPT AS NOTED INCHES		HOLE SIZE		DATE	
.X	± .10	Ø.X	± .10		
.XX	± .020	Ø.XX	± .015		
.XXX	± .015	Ø.XXX	± .010		
APPROVALS		DATE		TITLE	
DRAWN	SS	10/18/04		DC POWER JACK, CENTER PIN	
CHECKED				2.00MM, 2.35MM, 2.50MM 1.65MM	
APPROVED				SIZE PART NO. ADC-002A-X	
REF: S0002C		SCALE: NTS		SHEET 1 OF 1	

